



MODEL NUMBER

GM AIRBAG STEERING WHEEL REPLACEMENT PROCEDURES

Congratulations on the purchase of your new **GRANT REVOLUTION** steering wheel. This wheel is a direct replacement for your original factory steering wheel with spoke mounted control switches. The original factory airbag (SIR) module must be removed and transferred to the new **GRANT** wheel.

This wheel will fit the following vehicle:

Chevrolet - 2010 Camaro All with Leather Wrapped Steering Wheel Only

IMPORTANT - PLEASE READ

These **GRANT** Instructions use the factory shop manual procedures for the removal and reinstallation of the steering wheel and airbag module. Before proceeding with the replacement of your original steering wheel, it is necessary to read and understand all these instructions. By reading them first, you can become familiar with the steps and terminology used. Please take note of the following directives used throughout these instructions:

ALWAYS CAUTION NEVER NOTICE NOTE

NOTICE - **GRANT** recommends that installation be performed by a qualified service provider such as your local GM dealer, a certified mechanic, collision repair shop or a local airbag service center. Many of these service centers will come to your home or place of business to change out the air bag and wheel for a nominal fee. To find these providers check the internet for “airbag service”, “mobile airbag service” or check the yellow pages.

CAUTION

ALWAYS WEAR SAFETY GLASSES WHEN REPAIRING OR HANDLING AN AIR BAG.

ALWAYS CARRY A LIVE AIR BAG MODULE WITH THE TRIM COVER POINTED AWAY FROM YOUR BODY.

ALWAYS PLACE A LIVE AIR BAG MODULE ON A BENCH OR OTHER SURFACE WITH THE TRIM COVER FACING UP.

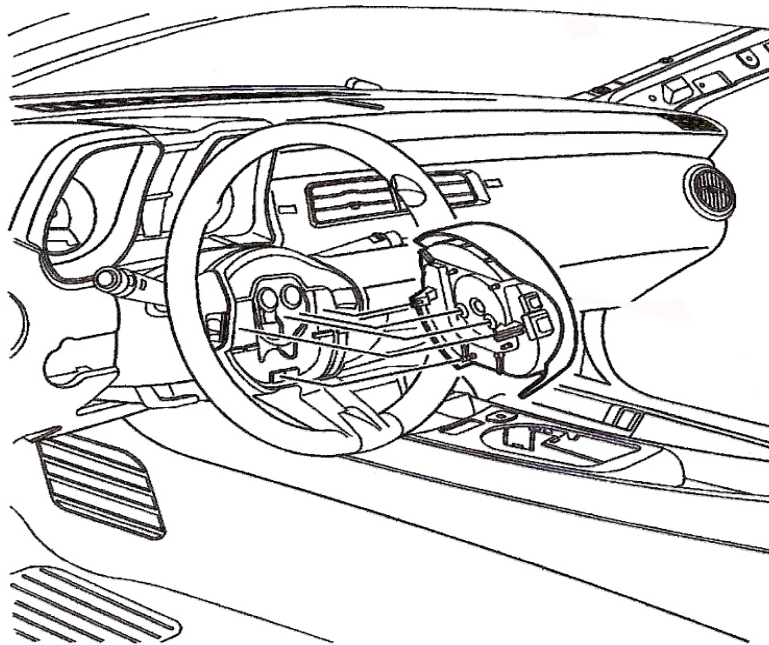
NEVER PROBE THE CONNECTORS ON THE AIR BAG MODULE.

AIR BAG MODULES WITH DISCOLORED OR DAMAGED COVERS OR DEPLOYMENT DOORS MUST BE REPLACED, NOT REPAINTED.

Tools required: 3-4mm Allen Wrench Safety Glasses
 Socket Set
 Torque Wrench

DISABLING AND REMOVAL OF THE SIR (AIRBAG) MODULE

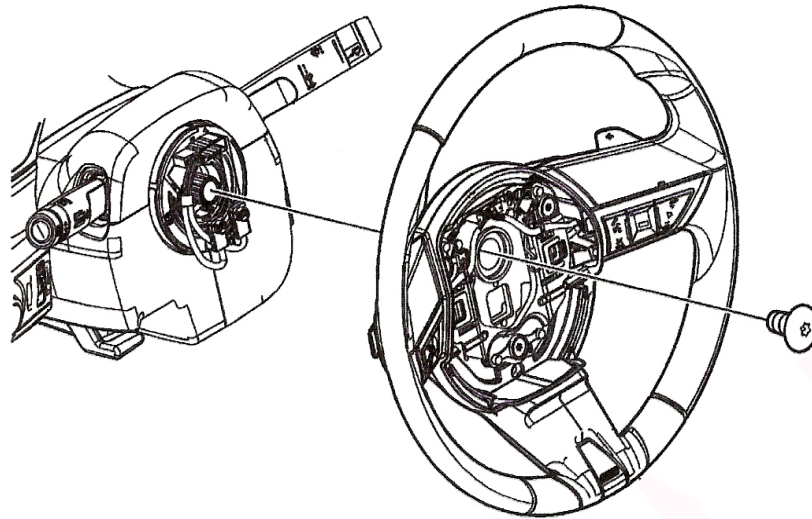
1. Position the steering wheel so that it is pointed straight ahead. Write down all of your radio presets as these may be lost when you disconnect the battery cable.
2. **NOTICE** - Disconnect the negative battery cable and wait at least **1 full minute** for the circuit to completely discharge before proceeding. **CAUTION:** Failure to fully deplete the backup power supply could result in an accidental deployment and possible injury.
3. Using a 3-4mm (1/8"-5/32") Allen wrench release the 2 spring fasteners by pushing inward through the access holes. The access holes are located on both sides of the steering wheel just behind the silver plastic trim.



4. The airbag module will pop up as each side is released, when both sides are free lift and partially remove the airbag module from the steering wheel in order to expose the electrical connectors on the back side. Take care not to pull on any of the wiring. See illustration above.
5. The airbag electrical connections have a safety locking connector-position assurance (CPA) clip that must be released before you can remove the electrical connectors from the module.
6. Disconnect the electrical connectors from the airbag module by squeezing them and pulling away.
7. Remove the airbag module from the steering wheel and place the module face up on the floor, seat or work bench. If you carry the module make sure the trim cover is pointed **AWAY** from your body.

REMOVING THE STEERING WHEEL FROM THE VEHICLE

1. Disconnect the wheel switch wiring harness at the column connector. **Do not pull excessively on the connector or clockspring mechanism and do not turn the clockspring now or at any time during the remainder of the installation.**
2. Loosen the steering wheel retainer nut (or bolt) until 2 or 3 threads are left engaged. Wiggle (rock) the steering wheel back and forth while pulling upward until it disengages from the shaft, then remove the retainer nut (or bolt) and wheel from the vehicle.



INSTALLING NEW STEERING WHEEL

1. Position the new wheel onto the shaft making sure the airbag module wiring feeds through as before. **NOTE:** There are alignment splines on the shaft and inside the wheel so it will only fit on one way. Do not force the wheel onto the shaft. It will slide down easily, if not, you do not have the wheel aligned on the shaft correctly. Reposition the wheel noting the alignment splines and slide on.
2. Install the steering wheel retainer nut (or bolt) and torque to 30 N-m (22 lb ft).
3. Connect the wheel wiring harness to the clockspring mechanism in the column.
4. Position the airbag module near the wheel and connect the electrical connectors to the module. You cannot put the connectors on incorrectly as they only fit into their respective connector one way.
5. Connect the connector-position assurance (CPA) clip(s) into the electrical connectors. Seat and lock the connections.
6. Position the alignment posts of the airbag module to align with the holes that are located on the steering wheel housing.
7. Push the airbag module into the steering wheel to engage and latch the 2 spring fasteners. Once positioned pull up on the sides of the airbag module to ensure that both spring fasteners are fully engaged.

8. Reconnect the negative battery cable. **NOTE:** When the ignition switch is turned to the "ON" position the air bag indicator light should flash then turn off. If the light does not flash or remains on there is a problem with the connections that must be resolved. Refer to "Disabling and Removal of the SIR (Airbag) Module" instructions for removal and steps 4 and 5 above for connections of the air bag wiring.

Remember to reset your radio station presets and clock and enjoy your new **GRANT REVOLUTION** steering wheel. When you first start the vehicle the engine may run less smoothly than before as the computer will have to reset itself due to the power loss but this will just take a moment or two.

If you need further assistance contact GRANT Technical Service Support at:

Phone (626) 305-0700

Fax (626) 305-0799

Email: customerservice@grantproducts.com

**Support Hours are 8:00AM to 5:00PM Pacific Time
Monday through Friday**



OUR LIMITED WARRANTY

We warrant this product for ninety (90) days from the date of original purchase to be free from defects in materials and workmanship. If, during this period, the product fails under normal usage because of a manufacturing defect, then we will replace or repair the item. To obtain repair or replacement under the terms of this warranty, notify us at 615 Elca Lane, Suite C, Brownsville, TX 78521. Proof of purchase and date of purchase are required to validate warranty.

All implied warranties, including warranty of merchantability, are limited to this same ninety-day period from date of original purchase. We are not liable for any direct or consequential loss of property damage arising from any use of this product. This warranty gives you specific legal rights, and you may also have other rights which vary from state to state. Offer good in U.S.A. and Canada only.

**GRANT PRODUCTS INTERNATIONAL, INC.
615 Elca Lane, Suite C
Brownsville, TX 78521**

On the Web: www.grantproducts.com