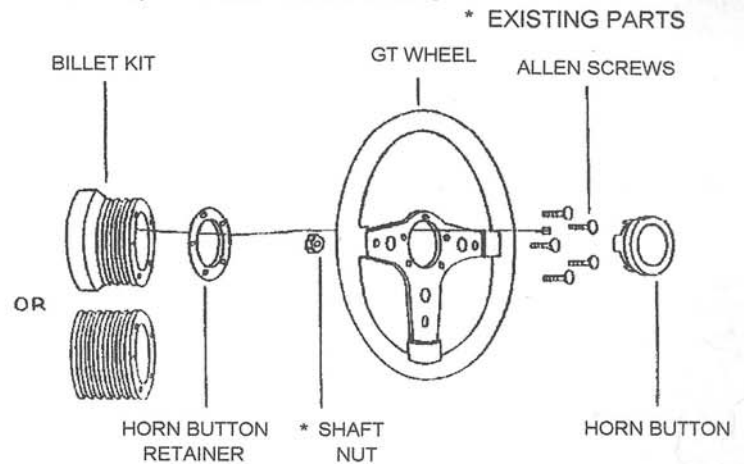
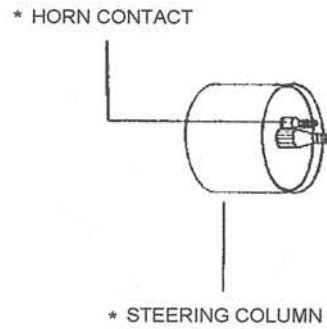


# GRANT

## NOT FOR USE ON AIRBAG EQUIPPED VEHICLES

**FORM**  
**5560/5560-1**  
**5592/5592-1**



### REMOVING ORIGINAL WHEEL

1. Point wheels straight ahead and disconnect battery or pull horn fuse before starting removal of the old wheel so horn won't short out and blow during installation.
2. Remove horn mechanism. This is normally done by one or more of the following steps:
  - a) Press down on horn cap or ring and turn.
  - b) Remove emblem cap from its snapped-in condition by grasping it and pulling toward you, or pry loose
  - c) Horn ring and emblem may be secured by screws which are concealed in rear side of wheel spokes.
3. Remove nut which holds wheel to shaft.
4. Mark shaft as to which is the top of the wheel.
5. With conventional puller, (or GRANT puller 5891), use the two tapped holes which you will find in the hub of old wheel to pull off the steering shaft.

If a puller is not available, you may improvise an efficient one to do the job. By drilling two holes of the proper size in a short steel bar and using two screws of the proper length, you can tighten them and pull the old wheel very easily.

### PREPARATION TO INSTALL NEW WHEEL

6. In your kit you will find two (2) roll pins. These are for the purpose of canceling the turn signal mechanism. These pins should be installed in the holes cast into the rear surface of custom hub with the slot facing in toward the center of hub. The pins must match the position and depth of the studs in the original wheel. Be sure not to insert the pins too far by checking them against the original wheel, and then mount custom hub on shaft and check for proper clearance and operation.

Turn the assembly in both directions, in the event the pins touch or rub on the canceling mechanism while in the neutral (off) position, you must bend the pins in the necessary direction for clearance.

7. **Preparing wheel for installation**-Remove the five (5) allen screws securing wheel to GT adapter (GT adapter is not used with billet kit installation). Take wheel, horn button, retainer ring and any other components and transfer these to "billet" adapter noting that arrow stamped on collar is the top of the wheel. Reinstall screws securely, but leave horn button off at this time.

8. Apply grease from enclosed capsules or equivalent to cover the copper contact ring on bottom of custom hub. This will reduce wear on the parts and will not interfere with the electrical circuit. If your wheel came with a grounding lead, ground the eyelet end of wire under one of the three bolts holding billet collar to hub.

**Note:** Kit 5592 and 5592-1 install brush extension per instructions included with your kit.

9. Position the wheel/adaptor assembly onto splined shaft observing that wheel is aligned in accordance with the mark you made in step 4. Check for proper orientation and, if correct, install shaft nut and tighten securely to 25-30 ft./lbs.
10. Connect the wire lead coming from kit to the center terminal on back of horn button. If your wheel had a grounding lead (from step 8) connect this wire to the remaining terminal on back of horn button.
11. Install horn button in center of wheel, reconnect battery or replace fuse, and enjoy your new GRANT wheel.

#### Our Limited Warranty

We warrant this product for ninety (90) days from the date of original purchase to be free from defects in materials and workmanship. If, during this period, the product fails under normal usage because of a manufacturing defect, then we will replace or repair the item. To obtain repair or replacement under the terms of this warranty, notify us at 615 Elca Lane, Suite C, Brownsville, TX 75821. Proof of purchase and date of purchase are required to validate warranty.

All implied warranties, including warranty of merchantability, are limited to this same ninety-day period from date of original purchase. We are not liable for any direct or consequential loss or property damage arising from any use of this product. This warranty gives you specific legal rights, and you may also have other rights which vary from state to state. Offer good in U.S.A. and Canada only.

#### IMPORTANT

FOR YOUR OWN SAFETY, DO **NOT** USE THIS WHEEL FOR ANY COMPETITIVE OR COMMERCIAL RACING PURPOSES: RACING DOES NOT CONSTITUTE NORMAL USAGE AND THEREFORE MAKES THIS WARRANTY VOID.

On The Web: [www.grantproducts.com](http://www.grantproducts.com)

Rev. 05/09 by JF

97527-03-01